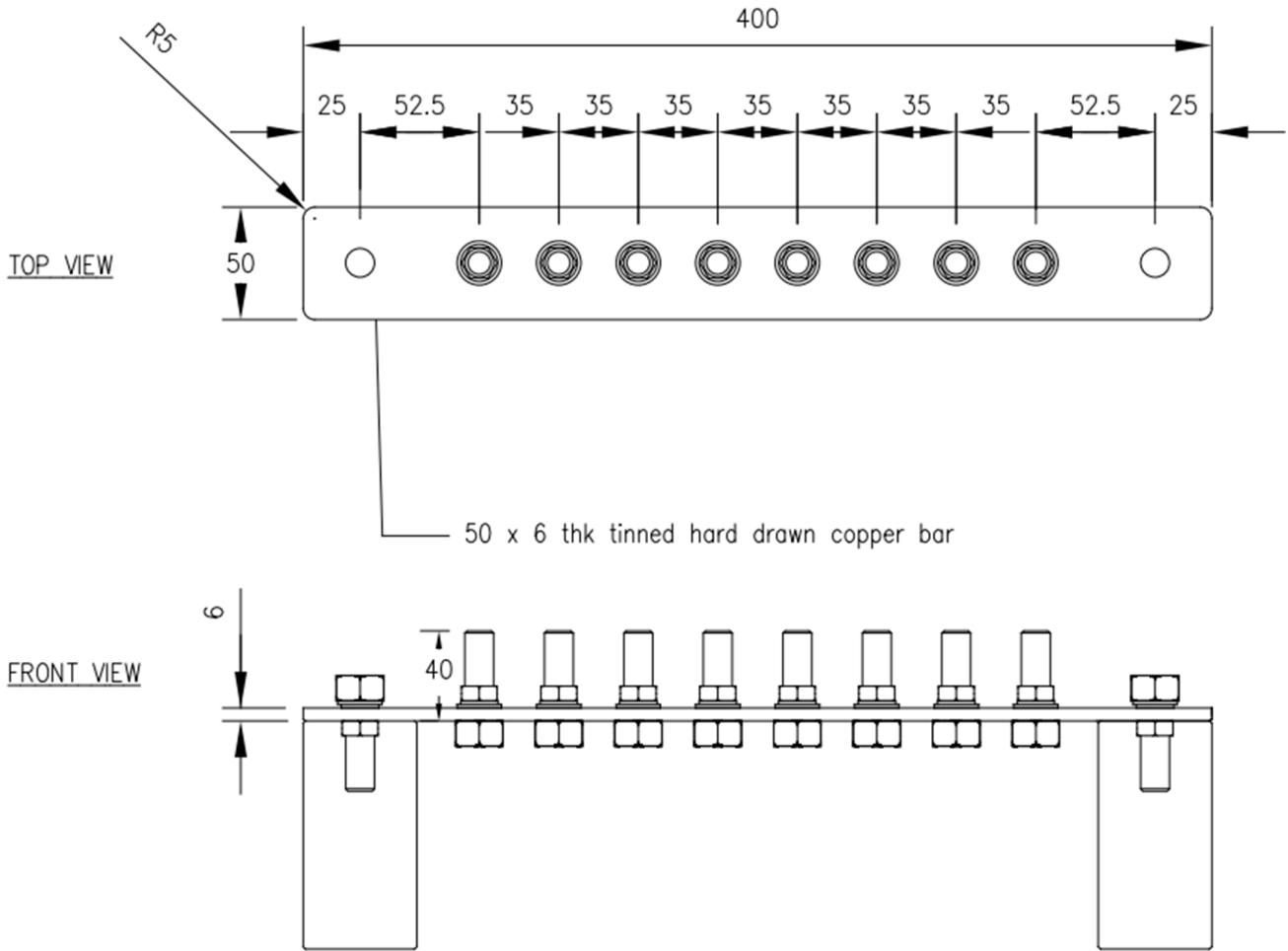


8-WAY ELECTRICAL EARTH BAR TYPE C



PART NUMBER: 08WEB-050006400 + BOSS-050100012

CHARACTERISTICS

The electrical tin-plated copper earth bar, constructed using high-density, high-conductivity (HDHC) copper, is a vital component in electrical grounding systems. Designed to ensure the safety and integrity of electrical installations, this earth bar is equipped with SS316 A4 fasteners for easy installation and secure attachment.

8 Micron Electro Tin Plated

Supplied with M8, M10, M12, 5/16", 3/8", 1/2" bolts and red insulators or SS316L bosses

Insulated up to 600v AC / 750v DC - for use up to 600 amps

Earth bars up to 20 way stocked & manufactured as standard

Standard earth bars 300mm²

Manufactured from 50/ 6 or 2" / 1/4" HDHC Copper as standard

PRODUCT PROPERTIES

Complies With: IEC 62561-1:2017 Class H

Material: Copper

Finish: Tinned

Number of Connections: 8

Distance between Termination Bolt: 35 mm

Termination Bolt: M12 x 40mm

Insulator Bolt: M12

Overall Height: 134 mm

Length: 400 mm

Width of Earth Bar: 50 mm

Width of Insulator with SS316L Base: N.A.

Thickness: 6 mm