

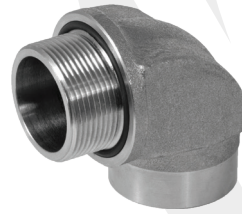
787

787 90° ADAPTOR, GLOBALLY APPROVED, EXPLOSIVE ATMOSPHERE CABLE / CONDUIT ACCESSORY

- Protects cables from excessive bending stress
- General purpose / industrial version available
- Supplied with male or female threads
- Can be supplied with thread conversion
- Equipment interface o-ring seal available
- -60°C to +200°C
- Globally marked, cCSAus, IECEx, ATEX and UKEX
- Can be used with 737 (not Ex d direct entry applications)

Machined and cast M20 to M50

Machined M63 and above



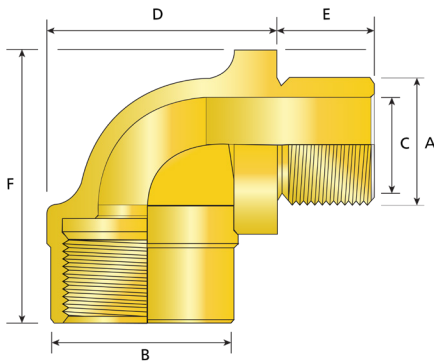
+200°C
↑
-60°C



TECHNICAL CLASSIFICATION

DESIGN SPECIFICATION	BS 6121:Part 1:1989
ENCLOSURE PROTECTION	IK10 to IEC 62262 (20 joules) Brass and Stainless Steel Only
INGRESS PROTECTION RATING**	IP66, IP67 and IP68***
AVAILABLE MATERIALS	Brass, Electroless Nickel Plated Brass, Aluminium, Stainless Steel

** When CMP installation accessories are used. Refer to www.cmp-products.com for further information. *** IP68 tested to a minimum depth of 30 metres for 12 hours, alternative depths / durations can be provided upon request



GLOBAL PRODUCT CERTIFICATION

ATEX CERTIFICATE	CML18ATEX1319U	IECEx CERTIFICATE	IECEx CML18.0176U, IECEx SIM 17.0009U
UKEX CERTIFICATE	CML 21UKEX1243U	CODE OF PROTECTION	Ex db I Mb, Ex eb I Mb, Ex db IIC Gb, Ex ta IIC Da
CODE OF PROTECTION	⊕ II 2G 1D Ex db IIC Gb, Ex eb IIC Gb, Ex ta IIC Da ⊕ I M2 Ex db I Mb, Ex eb I Mb	COMPLIANCE STANDARDS	IEC 60079-0,1,7,31
COMPLIANCE STANDARDS	EN 60079-0,1,7,31	COMPLIANCE STANDARDS	IEC 60079-0,1,7,31
cCSAus CERTIFICATE (20S16-100)	1055233	CODE OF PROTECTION	Class I, Groups A, B, C and D; IP66, 67, 68; Enclosure Type 4X; Ex de II, Class I, Zone 1, AEx de II;
CODE OF PROTECTION	Class I, Groups A, B, C and D; IP66, 67, 68; Enclosure Type 4X; Ex de II, Class I, Zone 1, AEx de II;	COMPLIANCE STANDARDS	C22.2 No. 0, 0.5-M1982, 30, 94, CAN/CSA 60079-0,1,7, UL 50, Edition 11, UL 1203, Edition 4, UL 60079-0,1,7
EAC CERTIFICATE	Check website for latest certificate number	UKrSEPRO CERTIFICATE	CLQ 19.0370U
RETIE APPROVAL NUMBER	03866	INMETRO APPROVAL	TUV 12.1335U
CCC CERTIFICATE	2020322313003177	ECAS CERTIFICATE	20-02-05268
SANS	IA MS-XPL21804 21.0005U		
MARINE APPROVALS	LRS: 01/00173, BV: 43180 A1 BV, ABS: 17-LD1619350-PDA		

HOW TO ORDER

e.g. 787 - D - M - 3 - M - 3 - 5

= Dual certified Ex d & Ex e - M25 (M) x M25 (F) - Nickel Plated Brass

Other thread variations are available on request. For further information on ordering please refer to page 163.

PRODUCT SELECTION TABLE

ORDERING REFERENCE	MALE THREAD SIZE 'A'	MINIMUM THREAD LENGTH 'E'	MINIMUM BORE DIAMETER 'C'	FEMALE THREAD SIZE	PROTRUSION LENGTH 'D'	PROTRUSION LENGTH 'F'	WIDTH 'B'
787DM2M2	M20 X 1.5	15.3	14.0	M20 X 1.5	29.6	41.0	24.0
787DM3M3	M25 X 1.5	15.3	18.6	M25 X 1.5	36.3	49.3	29.0
787DM4M4	M32 X 1.5	15.3	25.6	M32 X 1.5	45.2	56.3	36.0
787DM5N5	M40 X 1.5	15.3	33.6	M40 X 1.5	54.2	64.8	44.0
787DM6M6	M50 X 1.5	15.3	41.0	M50 X 1.5	68.3	74.0	54.0
787DM7M7	M63 X 1.5	15.3	50.0	M63 X 1.5	97.0	104.3	75.3
787DM8M8	M75 X 1.5	15.3	61.0	M75 X 1.5	97.0	111.3	79.5
787DM9M9	M90 X 2.0	15.3	80.0	M90 X 2.0	100.0	131.3	110.0
787DM10M10	M100 X 2.0	15.3	91.0	M100 X 2.0	110.0	141.3	115.0

All dimensions shown are in millimetres unless otherwise stated

Dimensions listed are for metric accessories only. Dimensions for alternative threads may vary.